

Remove Fumes at Their Source!

Keep Your Environment Clean, Safe and Comfortable.



Place-A-Vent Model FE-1200 has a large-diameter hood, making it ideal for welding and brazing applications.

The Economical Way to Keep your Environment Clean, Safe and Comfortable

Removing and ventilating fumes produced by welding, soldering, laser cutting and/or similar operations is a critical concern in today's safety-conscious work environment. Place-A-Vent is an economical, energy-efficient fume extractor that removes smoke, fumes and heat at their source to help assure worker safety and comfort.

Unlike exhaust fans or fixed overhead hoods, Place-A-Vent goes right to the source for capture and removal of virtually all process emissions **before** they reach the worker's "**Breathing Zone**". It employs a negative pressure system that exhausts all fumes quickly to the outside or into your already existing ductwork.

System Features:

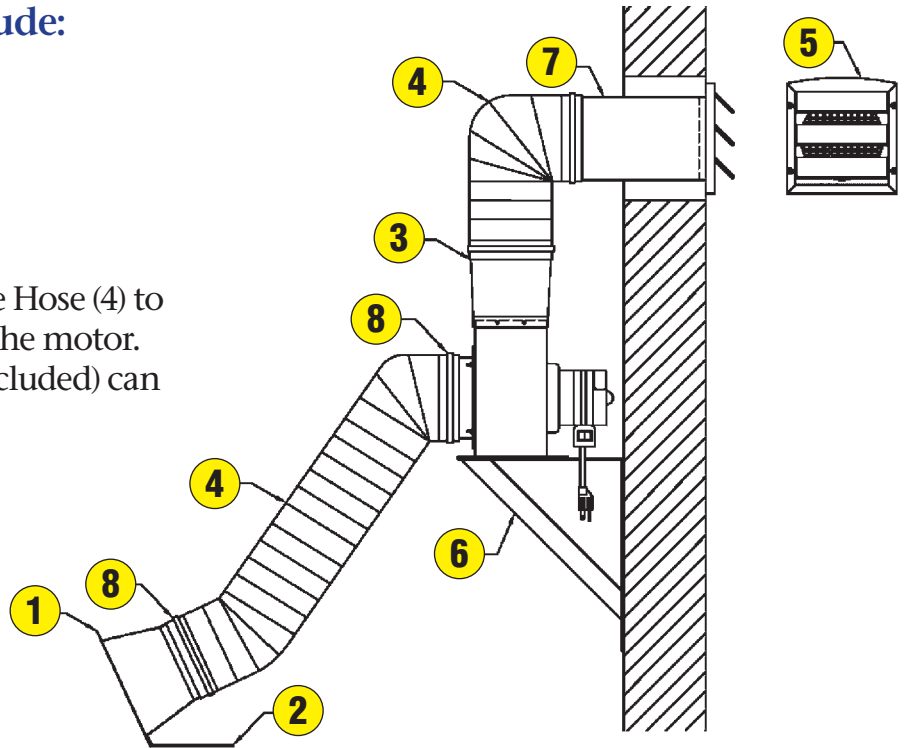
- Easy to install - all mounting components included
- Can be easily moved to a different location - an advantage over exhaust fans and fixed overhead hoods
- Can be modified for multiple work stations
- Larger volume fans and hazardous-duty motors available
- Three standard styles of hood support arms available

1 Year Warranty

Vent-A-Fume™

All Place-A-Vent models include:

- 1) Collection Hood
- 2) Hood Support (table top)
- 3) Blower
- 4) Flexible Hose
Use a small portion of the Flexible Hose (4) to connect to the discharge end on the motor. A 6-in. diameter hard pipe (not included) can also be used.
- 5) Gravity Closed Louver
- 6) Blower Support Bracket
- 7) Tail Pipe
- 8) Clamps



Customized systems available.

Flexible Gooseneck Support Options



20-inch Flexible Gooseneck Arm with Magnetic Base provides a robust pull strength for extra holding power. It can be conveniently placed on any magnetic surface allowing for a more precision placement of the capture hood.



20-inch Flexible Gooseneck Arm with Clamp-On Base secures the support arm to surfaces up to 1 1/2-inches thick. This secure clamp-on mounting allows more precise positioning of the capture hood within 20 inches of the mounting location. Polyurethane pads on the clamp prevent marring of mounting surfaces.

Specifications and Pricing

Model	HP	RPM	Ph/Hz/Volts	CFM@0.0" w.g.	Hood Size	Flex Hose	Inlet/Outlet	Price
FE-500	1/8	1600	1/60/115	500	8-in.	12 1/2-ft.**	6-in. dia.	\$465.00
FE-800*	1/6	1100	1/60/115	800	10-in.	12 1/2-ft.**	8-in. dia.	\$705.00
FE-1200*	1/2	1500	1/60/115-230	1200	10-in.	12 1/2-ft.**	8-in. dia.	\$840.00

Notes:

*Model FE-500 includes a 6-in., three-pronged power cord. Models FE-800 & FE-1200 require hard-wiring (have a power cord added) for your specific application.

**Longer lengths of Flex Hose available, call for pricing.

Accessories – Flexible Gooseneck Support Arms

Model No.	Description	Length	Price
FECB20	Flexible Gooseneck Arm with Clamp-On Base	20 Inches	\$109.00
FEMB20	Flexible Gooseneck Arm with Magnetic Base	20 inches	\$109.00

Vent-A-Fume™

A division of Vent-A-Kiln

51 Botsford Place, Buffalo, NY 14216

Toll Free: (877) 876-8368

info@ventakiln.com • www.ventafume.com