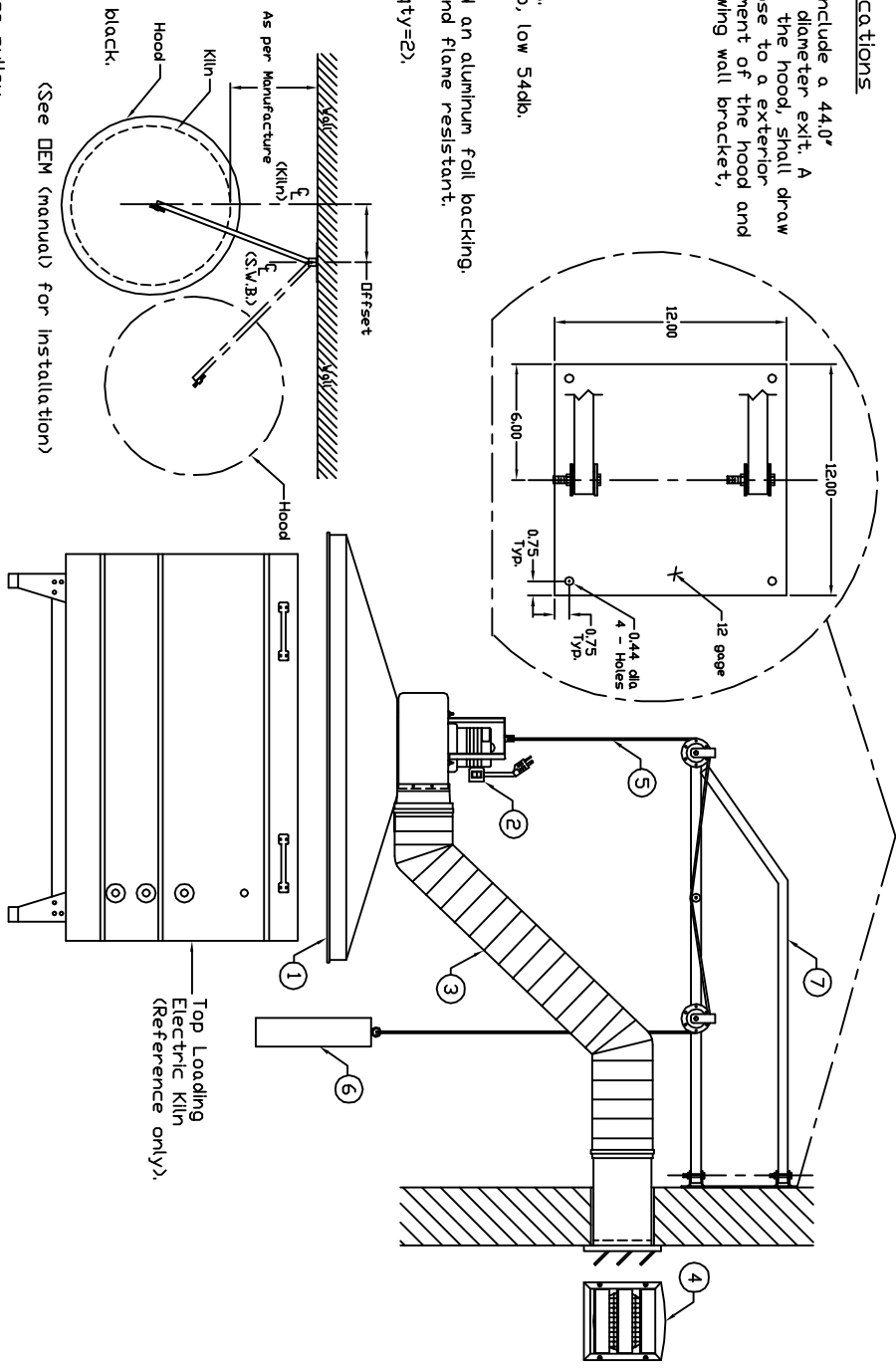


Model: 1544 (Swing Wall Bracket) Specifications

The Vent-A-Kiln model 1544 ventilation system shall include a 44.0" diameter metal spun aluminum hood tapering to a 6.0" diameter exit. A single speed motor with fan (blower) mounted on top the hood, shall draw and propel exhaust fumes and heat via a flexible hose to a exterior and surface mounted gravity operated louver. The placement of the hood and blower subassembly shall be user adjustable via a swing wall bracket, pulley and counterweight system.

- 1) Conical collection hood:
 - 44.0" diameter, 0.063 gage aluminum, alloy 1100-0.
- 2) Non-explosion proof blower
 - 1/2 hp, 1/60/115 motor,
 - 450 cfm @ 0.0" w.g., 36 amps, 1600 rpm,
 - Maximum continuous motor Temperature 250 deg. f.,
 - Sound data approximate db at 5 feet: high 68db, low 54db.
- 3) Flexible exhaust hose:
 - Triple ply laminate, aluminumized polyester face and an aluminum foil backing.
 - Corrosion, moisture, temperature (250 deg. f.), and flame resistant.
 - 6.0" diameter, 10' (ft.) length.
 - Flexible hose fastened by plastic hose clamps (qty=2).
 - UL listed number 723.
 - Cut to shortest length permissible.
- 4) Exterior surface mounted louver:
 - 6.0" diameter discharge.
 - Bird screen.
 - Three (3) gravity operated shutters.
- 5) 1/2" diameter plastic coated steel cable:
 - 10' (ft.) length.
 - Two (2) 1/2" galvanized steel cable clamps for fastening cable to counterweight and blower.
- 6) Counterweight:
 - 3.0" diameter cold rolled steel, painted VAF/VAK black.
 - weight 24.0 lbs..
- 7) Swing wall bracket with pulley system:
 - Continuous friction hinge design
 - 10"x10"x45.0" length structural tubing.
 - two (2) ball bearing pulleys and one (1) resistance pulley.
 - two (2) pulley safety straps.
 - Wall to center of hood when SWB is perpendicular to wall is 46.5".
- 8) Over all weight:
 - approximately 52lb.



(See DEM (manual) for installation)

LETTER	ALTERATION	DATE	BY
A	New Continuous Friction S.W.B. Design Added	4/3/07	Brandon
B	Blower motor had two speeds	6/12/09	Brandon

UNLESS SHOWN OTHERWISE TOLERANCES SHOULD BE: 1) XXX ±.005 2) XX ±.01 3) X ±.02 4) ANGLES ± 0.5°	
ALL INFORMATION CONTAINED HEREIN IS PROPRIETARY AND MUST NOT BE REPRODUCED OR MADE PUBLIC WITHOUT WRITTEN CONSENT FROM Vent-A-Kiln/Vent-A-Kiln Corp.	
TITLE: Model: 1544 With Swing Wall Bracket (P-10 Blower)	PROJECT NUMBER: XXX DATE: 8/28/03 SCALE: NTS DRAWN BY: B. Brandon CHECKED BY: [Blank] BILL OF MATERIAL: [Blank]
Dwg. No. B-1058	REV. B

All Dimensions Inches