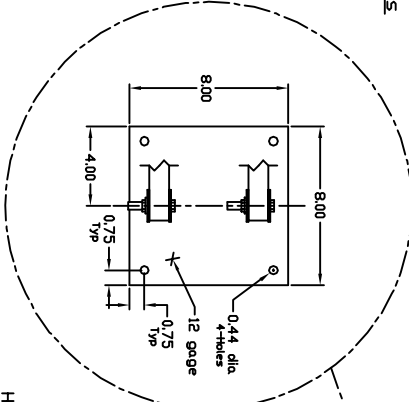


Model: 1227/500, 1332/500 & 1437/500-SWB (NP) Negative Pressure Specifications

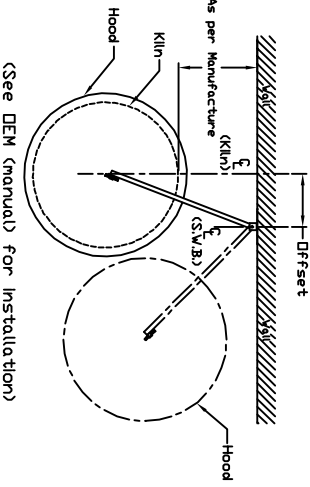
The Vent-A-Kin model 1227/500-NP-SWB, 1332/500-NP-SWB & 1437/500-NP-SWB negative pressure ventilation systems shall include a conical metal spun aluminum hood tapering to a 6.0" diameter exit. A single speed motor with fan (blower) mounted to wall by means of a support bracket, shall draw and propel exhaust fumes and heat via a flexible hose to an exterior surface mounted gravity operated louver. The placement of the hood and blower subassembly shall be user adjustable via a swinging wall bracket with a continuous friction hinge design. The subassembly shall also include a pulley and counterweight system.

- 1) Conical collection hood
 - Metal spun from 0.063 gage aluminum, alloy 1100-0.
- 2) Non-explosion proof blower
 - 1/2 hp, 1/60/115 motor.
 - 450 cfm @ 0.0" w.g., 36 amps, 1600 rpm.
 - Maximum continuous motor temperature 250 deg. f.
 - Sound data; approximate db at 5 feet: high 68db, low 54db.
- 3) Flexible exhaust hose:
 - Triple ply laminate, aluminum polyester face and an aluminum foil backing.
 - Corrosion, moisture, temperature (250 deg. f.), and flame resistant.
 - 6.0" diameter, 10' (ft.) length.
 - Flexible hose fastened by plastic hose clamps (qty=2).
 - UL listed number 723.
 - Cut to shortest length permissible.
- 4) Exterior surface mounted louver:
 - 6.0" diameter discharge.
 - Bird screen.
 - Three (3) gravity operated shutters.
- 5) 3/8" diameter plastic coated steel cable:
 - 10' (ft.) length.
 - Two (2) 3/8" galvanized steel cable clamps for fastening cable to counterweight and blower.
- 6) Counterweight:
 - 3.0" diameter cold rolled steel, painted VAF/VAK black.
- 7) Swing wall bracket with pulley system:
 - Continuous friction hinge design.
 - 1.0"x1.0"x3.50" length structural tubing.
 - Two (2) ball bearing pulleys and one (1) resistance pulley.
 - Two (2) slide brackets for hanging of system.
 - Wall to center of hood when SWB is perpendicular to wall is 36.0".
- 8) Blower wall support bracket:
 - 12 gage steel.
 - Painted VAF/VAK black

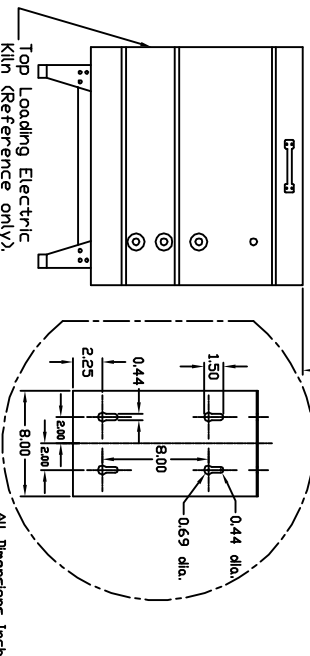
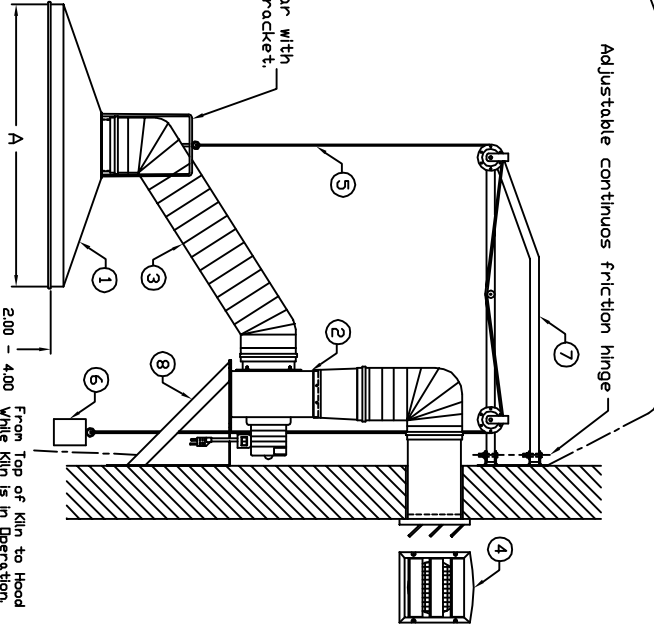


Model	Hood Diameter A (in)	C.W. (lbs)	Q.A.W. (lbs)
1227/500-NP-SWB	27.0	5.0	59.0
1332/500-NP-SWB	32.0	6.0	63.0
1437/500-NP-SWB	37.0	7.0	67.0

C.W. - Counter Weight
Q.A.W. - Overall Weight



(See DEM manual) for installation



LETTER	ALTERATION	DATE	BY
A	Replaces DWG: B-1159 & B-1205	4/11/07	B.Brandon
B	Blower motor had two speeds	6/12/09	B.Brandon

Vent-A-Kin Corp.
51 Botsford Place
Buffalo, N.Y. 14216

Project XXX
Date 4/11/07
Scale NTS
Checked BY
Bill of Matl

Next Assy
Dwg. No. B-1221

Model: 1227, 1332 & 1437
500-NP-SWB (P-10BP)

REVISION B

UNLESS SHOWN OTHERWISE, TOLERANCES SHALL BE:
1) .004
2) .01
3) FRACTIONAL DIMENSIONS ± 1/32"
4) ANGLES ± 0° 30'

ALL INFORMATION CONTAINED HEREIN IS PROPRIETARY AND MUST NOT BE REPRODUCED OR MADE PUBLIC WITHOUT WRITTEN CONSENT FROM Vent-A-Kin/Vent-A-Kin Corp.