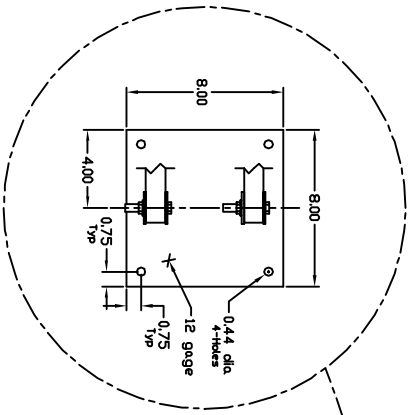


Model: 1227/500-SWB, 1332/500-SWB & 1437/500-SWB Specifications

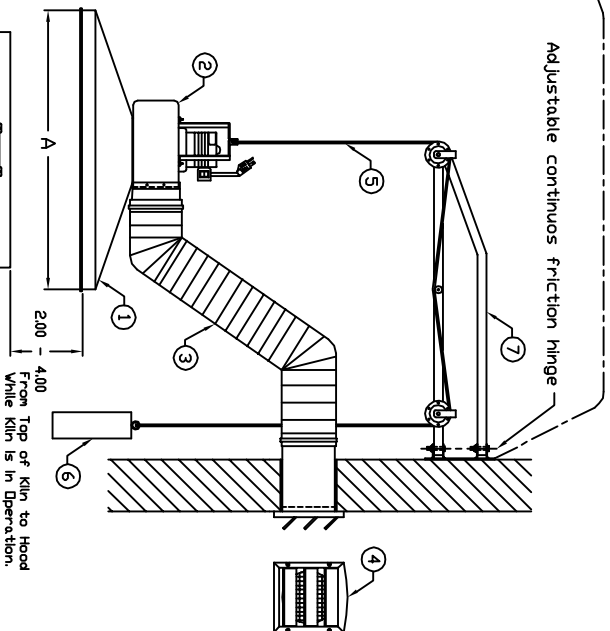
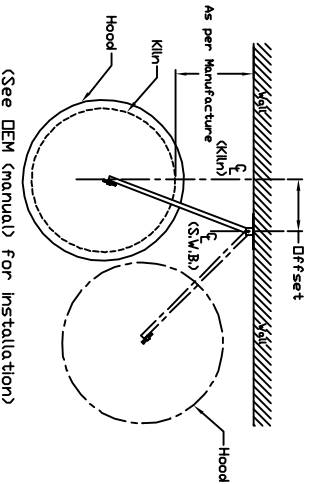
The Vent-A-Kin model 1227/500-SWB, 1332/500-SWB & 1437/500-SWB ventilation systems shall include a conical metal spun aluminum hood tapering to a 60" diameter exit. A single speed motor with fan (blower) mounted on top the hood, shall draw and propel exhaust fumes and heat via a flexible hose to a exterior surface mounted gravity operated louver. The placement of the hood and blower subassembly shall be user adjustable via a swinging wall bracket with a continuous friction hinge design. The subassembly shall also include a pulley and counterweight system.

- 1) Conical collection hood:
 - Metal spun from 0.063 gage aluminum, alloy 1100-0.
- 2) Non-explosion proof blower
 - 1/2 hp, 1/60/115 motor.
 - 450 cfm @ 0.0" w.g., 3.6 amps, 1600 rpm.
 - Maximum continuous motor Temperature 250 deg. f.
 - Sound data: approximate db at 5 feet: high 68db, low 54db.
- 3) Flexible exhaust hose:
 - Triple ply laminate, aluminumized polyester face and an aluminum foil backing.
 - Corrosion, moisture, temperature (250 deg. f.), and flame resistant.
 - 60" diameter, 10' (ft.) length.
 - Flexible hose fastened by plastic hose clamps (qty=2).
 - UL listed number 723.
 - Cut to shortest length permissible.
- 4) Exterior surface mounted louver:
 - 60" diameter discharge.
 - Bird screen.
 - Three (3) gravity operated shutters.
- 5) 3/8" diameter plastic coated steel cable:
 - 10' (ft.) length.
 - Two (2) 3/8" galvanized steel cable clamps for fastening cable to counterweight and blower.
- 6) Counterweight:
 - 30" diameter cold rolled steel, painted VAF/VAK black.
- 7) Swing wall bracket with pulley system:
 - Continuous friction hinge design.
 - 1.0"x1.0"x35.0" length structural tubing.
 - two (2) ball bearing pulleys and one (1) resistance pulley.
 - two (2) slide brackets for hanging of system.
 - two (2) pulley safety straps.
 - Wall to center of hood when SWB is perpendicular to wall is 36.0".



Model	Hood Diameter A (in)	C.W. (lbs)	D.A.W. (lbs)
1227/500-SWB	27.0	16.0	56.0
1332/500-SWB	32.0	18.0	60.0
1437/500-SWB	37.0	18.0	62.0

C.W. - Counter Weight (5)
D.A.W. - Overall Weight (6)



Top Loading Electric Kiln (Reference only).

200 - 400 From Top of Kiln to Hood While Kiln is in Operation.

All Dimensions Inches

LETTER	ALTERATION	DATE	BY
A	Replaces DWG: B-1060 & B-1061	4/5/07	Brandon
B	Blower motor had two speeds	6/11/09	Brandon

Vent-A-Kin Corp. 51 Botsford Place Buffalo, N.Y. 14216		PROJECT XXX DATE 4/5/07 SCALE NTS NEXT ASSY	DRAWN BY Brandon CHECKED BY BILL OF MATL
TITLE: Model: 1227, 1332 & 1437-SWB-500		Positive Pressure	DIM. AND BRL B-1216

UNLESS SHOWN OTHERWISE TOLERANCES SHOULD BE:
 1) XXX ± .005
 2) XX ± .01
 3) FRACTIONAL DIMENSIONS ± 1/32"
 4) ANGLES ± 0°30'

ALL INFORMATION CONTAINED HEREIN IS PROPRIETARY, AND MUST NOT BE REPRODUCED OR MADE PUBLIC WITHOUT WRITTEN CONSENT FROM Vent-A-Kin/Vent-A-Kin Corp.