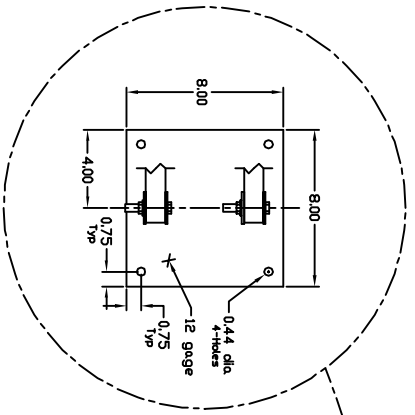


**Model: 1227/500-SWB, 1332/500-SWB & 1437/500-SWB Specifications**

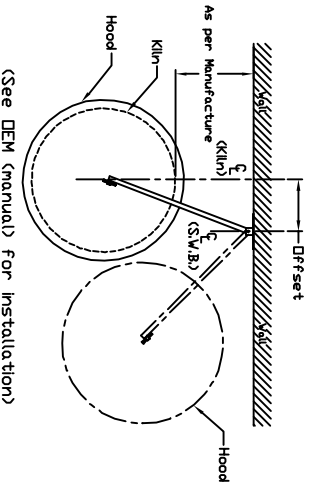
The Vent-A-Kin model 1227/500-SWB, 1332/500-SWB & 1437/500-SWB ventilation systems shall include a conical metal spun aluminum hood tapering to a 60" diameter exit. A single speed motor with fan (blower) mounted on top the hood, shall draw and propel exhaust fumes and heat via a flexible hose to a exterior surface mounted gravity operated louver. The placement of the hood and blower subassembly shall be user adjustable via a swinging wall bracket with a continuous friction hinge design. The subassembly shall also include a pulley and counterweight system.

- 1) Conical collection hood:
  - Metal spun from 0.063 gage aluminum, alloy 1100-0.
- 2) Non-explosion proof blower
  - 1/2 hp, 1/60/115 motor.
  - 450 cfm @ 0.0" w.g., 3.6 amps, 1600 rpm.
  - Maximum continuous motor Temperature 250 deg. f.
  - Sound data: approximate db at 5 feet: high 68db, low 54db.
- 3) Flexible exhaust hose:
  - Triple ply laminate, aluminumized polyester face and an aluminum foil backing.
  - Corrosion, moisture, temperature (250 deg. f.), and flame resistant.
  - 60" diameter, 10' (ft.) length.
  - Flexible hose fastened by plastic hose clamps (qty=2).
  - UL listed number 723.
  - Cut to shortest length permissible.
- 4) Exterior surface mounted louver:
  - 60" diameter discharge.
  - Bird screen.
  - Three (3) gravity operated shutters.
- 5) 3/8" diameter plastic coated steel cable:
  - 10' (ft.) length.
  - Two (2) 3/8" galvanized steel cable clamps for fastening cable to counterweight and blower.
- 6) Counterweight:
  - 30" diameter cold rolled steel, painted VAF/VAK black.
- 7) Swing wall bracket with pulley system:
  - Continuous friction hinge design.
  - 1.0"x1.0"x35.0" length structural tubing.
  - two (2) ball bearing pulleys and one (1) resistance pulley.
  - two (2) slide brackets for hanging of system.
  - two (2) pulley safety straps.
  - Wall to center of hood when SWB is perpendicular to wall is 36.0".

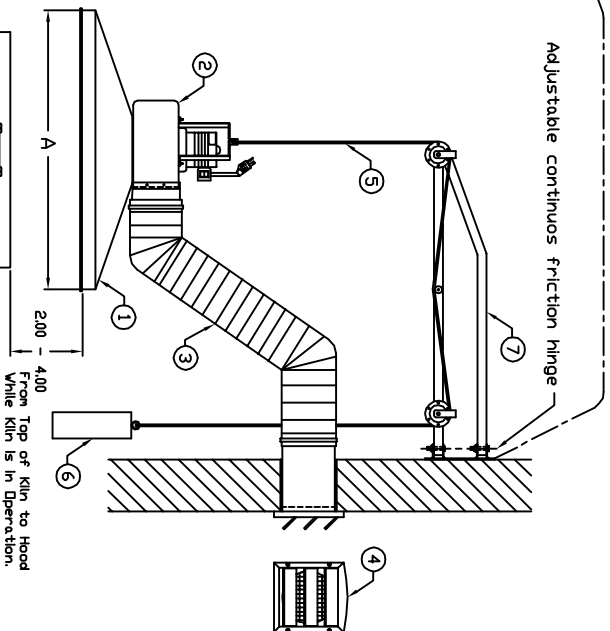


Model	Hood Diameter A (in)	C.W. (lbs)	D.A.W. (lbs)
1227/500-SWB	27.0	16.0	56.0
1332/500-SWB	32.0	18.0	60.0
1437/500-SWB	37.0	18.0	62.0

C.W. - Counter Weight (5)  
D.A.W. - Overall Weight (6)



(See DEM (manual) for installation)



Top Loading Electric  
Kiln (Reference only).

LETTER	ALTERATION	DATE	BY
A	Replaces DWG: B-1060 & B-1061	4/5/07	Brandon
B	Blower motor had two speeds	6/11/09	Brandon

Vent-A-Kin Corp.  
51 Botsford Place  
Buffalo, N.Y. 14216

Positive Pressure

Model: 1227, 1332 & 1437-SWB-500

PROJECT XXX  
DATE 4/5/07  
SCALE NTS

DRAWN BY Brandon  
CHECKED BY  
BILL OF MATL

DRG. NO. B-1216

REL. B

All Dimensions Inches

UNLESS SHOWN OTHERWISE TOLERANCES SHOULD BE:  
1) XXX ± .005  
2) XX ± .01  
3) FRACTIONAL DIMENSIONS ± 1/32"  
4) ANGLES ± 0°30'

ALL INFORMATION CONTAINED HEREIN IS PROPRIETARY, AND MUST NOT BE REPRODUCED OR MADE PUBLIC WITHOUT WRITTEN CONSENT FROM Vent-A-Kin/Vent-A-Kin Corp.