

Model: 1227/500, 1332/500 & 1437/500 (NP) Negative Pressure Specifications

The Vent-A-Kiln model 1227/500, 1332/500 & 1437/500 (NP) negative pressure ventilation system shall include a conical metal spun aluminum hood tapering to a 6.0" diameter exit. A single speed motor with fan (blower) mounted to wall by means of a support bracket, shall draw and propel exhaust fumes and heat via a flexible hose to a exterior surface mounted gravity operated louver. The placement of the hood and blower subassembly shall be user adjustable via an overhead pulley and counterweight system.

- 1) Conical collection hood:
 - Metal spun from 0063 gage aluminum, alloy 1100-0.

2) Non-explosion proof blower

- 1/2 hp, 1/60/115 motor.
- 450 cfm @ 0.0" w.g., 3.6 amps, 1600 rpm.
- Maximum continuous motor Temperature 250 deg. f..
- Sound data; approximate db at 5 feet: high 68db, low 54db.

3) Flexible exhaust hose:

- Triple ply laminate, aluminized polyester face and an aluminum foil backing.
- Corrosion, moisture, temperature (250 deg. f.), and flame resistant.
- 6.0" diameter, 10' (ft.) length.
- Flexible hose fastened by plastic hose clamps (qty=2).
- UL listed number 723.
- Cut to shortest length permissible.

4) Exterior surface mounted louver:

- 6.0" diameter discharge.
- Bird screen.
- Three (3) gravity operated shutters.

5) 1/8" diameter plastic coated steel cable:

- Two (2) 1/8" galvanized steel cable clamps for fastening cable to counterweight and blower.
- 10' (ft.) length.

6) Counterweight:

- 3.0" diameter cold rolled steel, painted VAF/VAK black.

7) Overhead pulley system:

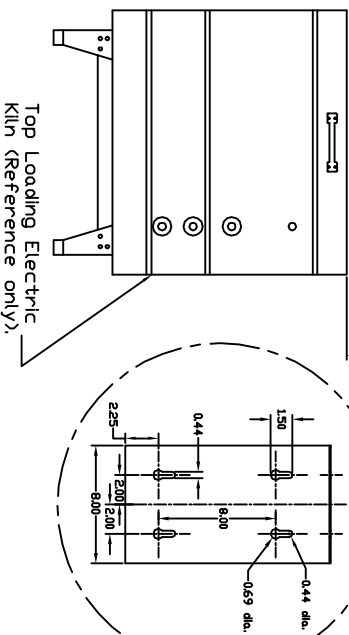
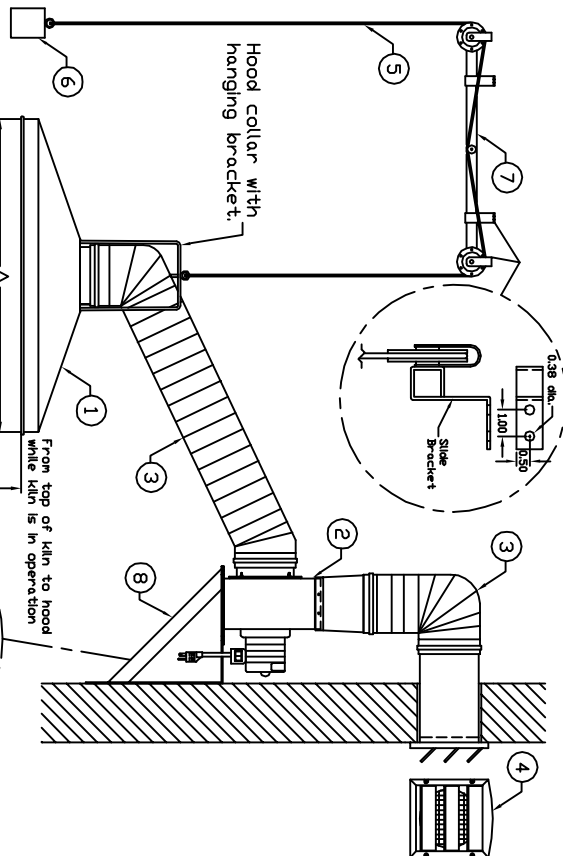
- 1.0"x1.0"x2.40" length structural tubing.
- Two (2) ball bearing pulleys and one (1) resistance pulley.
- Two (2) slide brackets for hanging of system.
- two (2) pulley safety straps.

8) Blower wall support bracket:

- 12 gage steel.
- Painted VAF/VAK black

Model	Hood Diameter A (in)	C.W. (lbs)	D.A.W. (lbs)
1227/500-NP	27.0	6.0	51.0
1332/500-NP	32.0	7.0	54.0
1437/500-NP	37.0	11.0	61.0

C.W. - Counter Weight
D.A.W. - Overall Weight



All Dimensions Inches

LETTER	ALTERATION	DATE	BY
A	Replaces DWG. B-1072, B-1063 & B-1062	4/10/07	BR
B	Blower motor had two speeds	6/11/09	BR

Vent-A-Kiln Vent-A-Kiln Corp. 51 Botstord Place Buffalo, N.Y. 14216 Negative Pressure		PROJECT XXX DRAWN BY: Brandon DATE 4/10/07 CHECKED BY: BILL OF WANT SCALE NTS TITLE: Model: 1227, 1332 & 1437/500-NP (P-10BP) DWS. NO. B-1218
ALL INFORMATION CONTAINED HEREIN IS PROPRIETARY, AND MUST NOT BE REPRODUCED OR MADE PUBLIC WITHOUT WRITTEN CONSENT FROM Vent-A-Kiln/Vent-A-Kiln Corp.		