

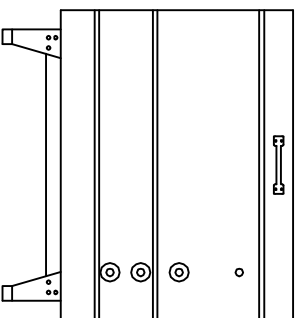
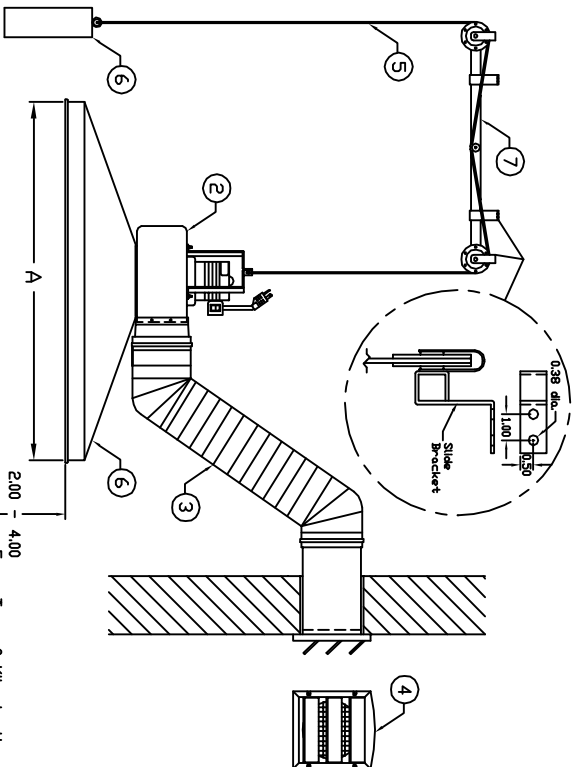
Model 1227/500, 1332/500 & 1437/500 Specifications

The Vent-A-Kiln model 1227/500, 1332/500 & 1437/500 ventilation system shall include a conical metal spun aluminum hood tapering to a 6.0' diameter exit. A single speed motor with fan (blower) mounted on top the hood, shall draw and propel exhaust fumes and heat via a flexible hose to a exterior surface mounted gravity operated louver. The placement of the hood and blower subassembly shall be user adjustable via an overhead pulley and counterweight system.

- 1) Conical collection hood:
 - Metal spun from 0.063 gage aluminum, alloy 1100-0.
- 2) Non-explosion proof blower
 - 1/2 hp, 1/60/115 motor.
 - 450 cfm @ 0.0' w.g., 3.6 amps, 1600 rpm.
 - Maximum continuous motor Temperature 250 deg. f.
 - Sound data: approximate db at 5 feet: high 88db, low 54db.
- 3) Flexible exhaust hose:
 - Triple ply laminate, aluminumized polyester face and an aluminum foil backing.
 - Corrosion, moisture, temperature (250 deg. f.), and flame resistant.
 - 6.0' diameter, 10' (ft.) length.
 - Flexible hose fastened by plastic hose clamps (qty=2).
 - UL listed number 723.
 - Cut to shortest length permissible.
- 4) Exterior surface mounted louver:
 - 6.0' diameter discharge.
 - Bird screen.
 - Three (3) gravity operated shutters.
- 5) 3/8" diameter plastic coated steel cable:
 - 10' (ft.) length.
 - Two (2) 3/8" galvanized steel cable clamps for fastening cable to counterweight and blower.
- 6) Counterweight:
 - 3.0' diameter cold rolled steel, painted VAF/VAK black.
- 7) Overhead pulley system:
 - 1.0"x1.0"x2.4, 10' length structural tubing.
 - Two (2) ball bearing pulleys and one (1) resistance pulley.
 - Two (2) slide brackets for hanging of system.
 - two (2) pulley safety straps.

Model	Hood Diameter A (in)	C.W. (lbs)	□, A.W. (lbs)
1227/500	27.0	16.0	48.0
1332/500	32.0	18.0	52.0
1437/500	37.0	18.0	54.0

C.W. - Counter Weight
 D.A.W. - Overall Weight



LETTER	ALTERATION	DATE	BY	UNLESS SHOWN OTHERWISE DIMENSIONS SHOULD BE:
A	Replaces Dwg. B-1071, B-1050 & B-1049	4/3/07	B-Brandon	1) XXX 2) XX 3) FRACTIONAL DIMENSIONS ± 1/32" 4) ANGLES ± 0° 30'
B	Blower motor had two speeds	6/11/09	B-Brandon	ALL INFORMATION CONTAINED HEREIN IS PROPRIETARY AND MUST NOT BE REPRODUCED OR MADE PUBLIC WITHOUT WRITTEN CONSENT FROM Vent-A-Kiln/Vent-A-Kiln Corp.

Vent-A-Kiln Corp. 51 Botstford Place Buffalo, N.Y. 14216		PROJECT XXX	DRAWN BY B. Brandon
Positive Pressure		DATE 4/3/07	CHECKED BY
TITLE: Model: 1227/500, 1332/500 1437/500 (P-10 Blower)		SCALE NTS	BILL OF MATL BY
		DWG. NO. B-1214	REV. B

All Dimensions Inches