

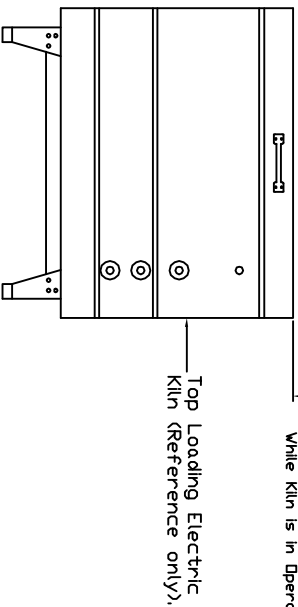
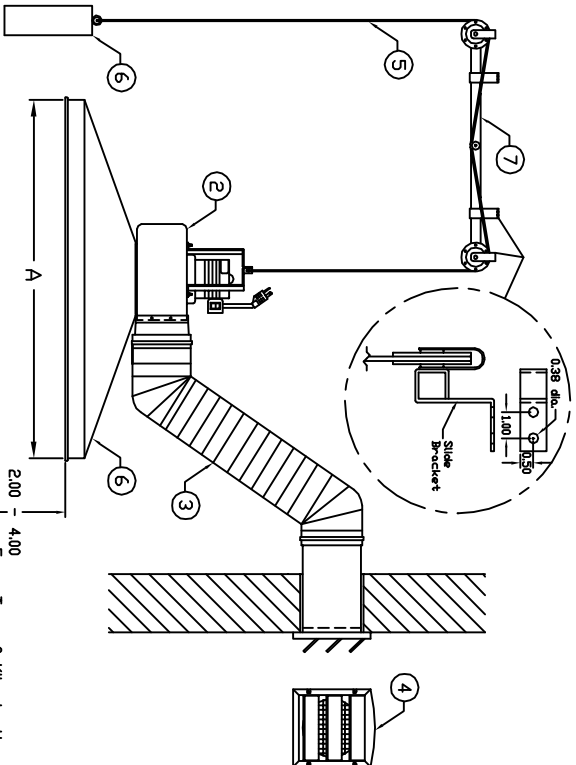
Model 1227/500, 1332/500 & 1437/500 Specifications

The Vent-A-Klin model 1227/500, 1332/500 & 1437/500 ventilation system shall include a conical metal spun aluminum hood tapering to a 60" diameter exit. A single speed motor with fan (blower) mounted on top the hood, shall draw and propel exhaust fumes and heat via a flexible hose to a exterior surface mounted gravity operated louver. The placement of the hood and blower subassembly shall be user adjustable via an overhead pulley and counterweight system.

- 1) Conical collection hood:
 - Metal spun from 0.063 gage aluminum, alloy 1100-0.
- 2) Non-explosion proof blower
 - 1/2 hp, 1/60/115 motor.
 - 450 cfm @ 0.0" w.g., 3.6 amps, 1600 rpm.
 - Maximum continuous motor Temperature 250 deg. f.
 - Sound data: approximate db at 5 feet: high 88db, low 54db.
- 3) Flexible exhaust hose:
 - Triple ply laminate, aluminumized polyester face and an aluminum foil backing.
 - Corrosion, moisture, temperature (250 deg. f.), and flame resistant.
 - 60" diameter, 10' (ft.) length.
 - Flexible hose fastened by plastic hose clamps (qty=2).
 - UL listed number 723.
 - Cut to shortest length permissible.
- 4) Exterior surface mounted louver:
 - 60" diameter discharge.
 - Bird screen.
 - Three (3) gravity operated shutters.
- 5) 3/8" diameter plastic coated steel cable:
 - 10' (ft.) length.
 - Two (2) 3/8" galvanized steel cable clamps for fastening cable to counterweight and blower.
- 6) Counterweight:
 - 30" diameter cold rolled steel, painted VAF/VAK black.
- 7) Overhead pulley system:
 - 10"x10"x24,0" length structural tubing.
 - two (2) ball bearing pulleys and one (1) resistance pulley.
 - Two (2) slide brackets for hanging of system.
 - two (2) pulley safety straps.

Model	Hood Diameter A (in)	C.W. (lbs)	□, A.W. (lbs)
1227/500	27.0	16.0	48.0
1332/500	32.0	18.0	52.0
1437/500	37.0	18.0	54.0

C.W. - Counter Weight (6)
D.A.W. - Overall Weight



LETTER	ALTERATION	DATE	BY	UNLESS SHOWN OTHERWISE DIMENSIONS SHOULD BE:
A	Replaces Dwg. B-1071, B-1050 & B-1049	4/3/07	B-Brandon	1) XXX 2) XX 3) FRACTIONAL DIMENSIONS ± 1/32" 4) ANGLES ± 0° 30'
B	Blower motor had two speeds	6/11/09	B-Brandon	ALL INFORMATION CONTAINED HEREIN IS PROPRIETARY AND MUST NOT BE REPRODUCED OR MADE PUBLIC WITHOUT WRITTEN CONSENT FROM Vent-A-Klin/Vent-A-Klin Corp.

Vent-A-Fume
Vent-A-Klin Corp.
51 Botstford Place
Buffalo, N.Y. 14216

Positive Pressure

PROJECT NUMBER	XXX	DRAWN BY	B. Brandon
DATE	4/3/07	CHECKED BY	
SCALE	NTS	BILL OF MATL	
NEXT ASSY			
TITLE: Model: 1227/500, 1332/500, 1437/500 (P-10 Blower)		DWG. NO.	B-1214
		REV.	B

All Dimensions Inches