

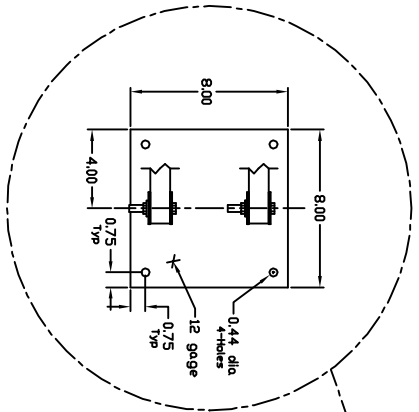
Model 1122-SWB, 1227-SWB, 1332-SWB & 1437-SWB Specifications

The Vent-A-Klin model 1122-SWB, 1227-SWB, 1332-SWB & 1437-SWB ventilation systems shall include a conical metal spun aluminum hood tapering to a 5 $\frac{1}{2}$ " diameter exit. A single speed motor with fan (blower) mounted on top the hood, shall draw and propel exhaust fumes and heat via a flexible hose to a exterior surface mounted gravity operated louver. The placement of the hood and blower subassembly shall be user adjustable via a swinging wall bracket with a continuous friction hinge system. The subassembly shall also include a pulley and counterweight system.

- 1) Conical collection hood:
 - Metal spun from 0.063 gage aluminum, alloy 1100-0.
- 2) Non-explosion proof blower
 - $\frac{3}{4}$ hp, 1/60/115 motor,
 - 250 cfm @ 0.0" w.g., 1.7 amps, 1550 rpm,
 - Maximum continuous motor Temperature 250 deg. f.,
 - Sound data: approximate db at 5 feet: high 62db, low 59db.

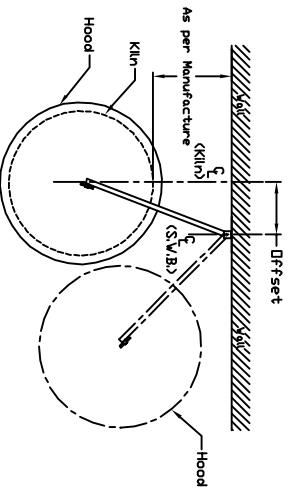
- 3) Flexible exhaust hose:
 - Triple ply laminate, aluminized polyester face and an aluminum foil backing,
 - Corrosion, moisture, temperature (250 deg. f.), and flame resistant.
 - 5.0" diameter, 10' (ft.) length,
 - Flexible hose fastened by plastic hose clamps (qty=2).
 - UL listed number 723,
 - Cut to shortest length permissible.
- 4) Exterior surface mounted louver:
 - 5.0" diameter discharge.
 - Blind screen.
 - Three (3) gravity operated shutters.
- 5) $\frac{3}{8}$ " diameter plastic coated steel cable:
 - 10' (ft.) length,
 - Two (2) $\frac{3}{8}$ " galvanized steel cable clamps for fastening cable to counterweight and blower.
- 6) Counterweight:
 - 3.0" diameter cold rolled steel, painted VAF/VAK black.
- 7) Swing wall bracket with pulley system:
 - Continuous friction hinge design,
 - 1.0"x1.0"x3.50" length structural tubing,
 - two (2) ball bearing pulleys and one (1) resistance pulley,
 - Two (2) slide brackets for hanging of system,
 - two (2) pulley safety straps.

- Wall to center of hood when SWB is perpendicular to wall is 36.0".

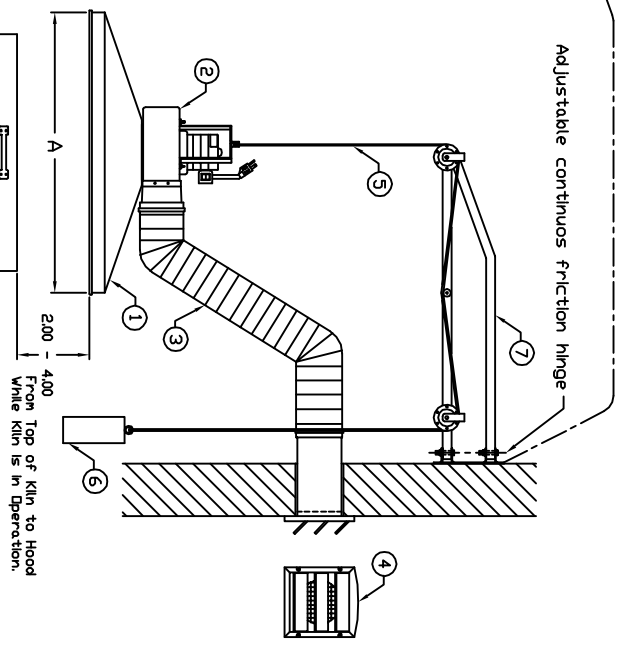


| Model | Hood Diameter A (in) | C.W. (lbs) | D.A.W. (lbs) |
|----------|----------------------|------------|--------------|
| 1122-SWB | 22.0 | 11.0 | 43.0 |
| 1227-SWB | 27.0 | 11.0 | 44.0 |
| 1332-SWB | 32.0 | 14.0 | 50.0 |
| 1437-SWB | 37.0 | 16.0 | 54.0 |

C.W. - Counter Weight
D.A.W. - Overall Weight



(See DEM manual) for installation)



Top Loading Electric, Klin (Reference only).

| LETTER | ALTERATION | DATE | BY |
|--------|---|---------|-----------|
| A | Replaces Dwg. B-1054, B-1055, B-1056 & B-1057 | 4/4/07 | B.Brandon |
| B | Blower motor had two speeds | 6/11/09 | B.Brandon |

| | |
|--|----------|
| ALL INFORMATION CONTAINED HEREIN IS PROPRIETARY AND MUST NOT BE REPRODUCED OR MADE PUBLIC WITHOUT WRITTEN CONSENT FROM Vent-A-Klin Corp. | |
| UNLESS SHOWN OTHERWISE TOLERANCES SHOULD BE: | |
| 1) X.XX | ± .005 |
| 2) XX | ± .01 |
| 3) FRACTIONAL DIMENSIONS | ± 1/32" |
| 4) ANGLES | ± 0° 30' |
| ALL INFORMATION CONTAINED HEREIN IS PROPRIETARY AND MUST NOT BE REPRODUCED OR MADE PUBLIC WITHOUT WRITTEN CONSENT FROM Vent-A-Klin Corp. | |
| TITLE: Model: 1122, 1227, 1332 & 1437; Swing Wall Bracket | |
| PROJECT XXX | |
| DATE 4/4/07 | |
| SCALE NTS | |
| DRAWN BY B. Brandon | |
| CHECKED BY | |
| BILL OF MATERIAL | |
| DWG. NO. B-1215 | |
| REL. B | |

Vent-A-Klin Fume
51 Botstford Place
Buffalo, N.Y. 14216
Positive Pressure

All Dimensions Inches