

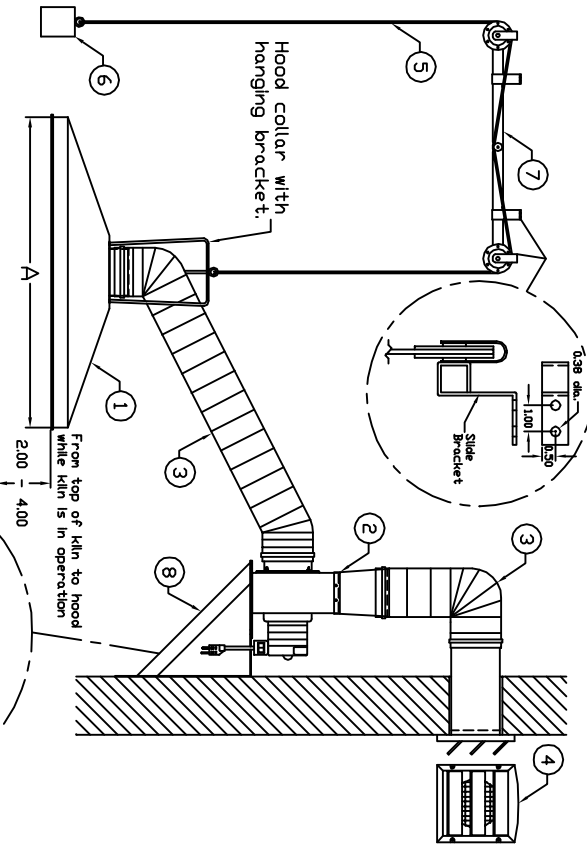
Model: 1122, 1227, 1332 & 1437 (NP) Negative Pressure Specifications

The Vent-A-Kiln model 1122, 1227, 1332 & 1437 (NP) negative pressure ventilation system shall include a conical metal spun aluminum hood tapering to a 5 $\frac{1}{2}$ " diameter exit. A single speed motor with fan (blower) mounted to wall by means of a support bracket, shall draw and propel exhaust fumes and heat via a flexible hose to an exterior surface mounted operated louver. The placement of the hood and blower subassembly shall be user adjustable via an overhead pulley and counterweight system.

- 1) Conical collection hood:
  - Metal spun from 0.063 gage aluminum, alloy 1100-0.
- 2) Non-explosion proof blower
  - $\frac{1}{2}$  hp, 1/60/115 motor.
  - 250 CFM @ 0.07" w.g., 17 amps, 1550 rpm.
  - Maximum continuous motor Temperature 250 deg. F.
  - Sound data; approximate db at 5 feet; high 59db, low 59db.
- 3) Flexible exhaust hose:
  - Triple ply laminate, aluminized polyester face and an aluminum foil backing.
  - Corrosion, moisture, temperature (250 deg. F.), and flame resistant.
  - 50" diameter, 10' (ft.) length.
  - Flexible hose fastened by plastic hose clamps (qty=2).
  - UL listed number 723.
  - Cut to shortest length permissible.
- 4) Exterior surface mounted louver:
  - 50" diameter discharge.
  - Bird screen.
  - Three (3) gravity operated shutters.
- 5)  $\frac{3}{8}$ " diameter plastic coated steel cable:
  - 10' (ft.) length.
  - Two (2)  $\frac{3}{8}$ " galvanized steel cable clamps for fastening cable to counterweight and blower.
- 6) Counterweight:
  - 30" diameter cold rolled steel, painted VAF/VAK black.
- 7) Overhead pulley system:
  - 1.0"x1.0"x24.0" length structural tubing.
  - two (2) ball bearings pulleys and one (1) resistance pulley.
  - Two (2) slide brackets for hanging of system.
  - two (2) pulley safety straps.
- 8) Blower wall support bracket:
  - 12 gage steel.
  - Painted VAF/VAK black

Model	Hood Diameter A (in)	C.W. (lbs)	D.A.W. (lbs)
1122-NP	22.0	5.0	43.0
1227-NP	27.0	6.0	46.0
1332-NP	32.0	7.0	49.0
1437-NP	37.0	11.0	56.0

C.W. - Counter Weight  
D.A.W. - Overall Weight



LETTER	ALTERATION	DATE	BY
A	Replaces Div's B-1064, B-1065, B-1066 & B-1067	4/10/07	B.Brandon
B	Blower motor had two speeds	6/11/09	B.Brandon

Vent-A-Kiln Corp. 51 Botstford Place Buffalo, N.Y. 14216		PROJECT XXX DATE 4/10/07 SCALE NTS		DRAWN B. Brandon CHECKED BY BILL OF MATL	
Negative Pressure		NEXT ASSY		DIM. AND B-1217	
TITLE: Model: 1122, 1227, 1332 & 1437-NP (P-11BP Blower)				REK B	

All Dimensions Inches

UNLESS SHOWN OTHERWISE DIMENSIONS SHOULD BE:  
 1) XXX  
 2) XX  
 3) FRACTIONAL DIMENSIONS  
 4) ANGLES  
 ALL INFORMATION CONTAINED HEREIN IS PROPRIETARY, AND MUST NOT BE REPRODUCED OR MADE PUBLIC WITHOUT WRITTEN CONSENT FROM VENT-A-KILN/Vent-A-Kiln Corp.