

# Remove Fumes at Their Source!

## Keep Your Environment Clean, Safe and Comfortable.



*Place-A-Vent Model FE-1200 has a large-diameter hood, making it ideal for welding and brazing applications.*

## The Economical Way to Keep your Environment Clean, Safe and Comfortable

Removing and ventilating fumes produced by welding, soldering, laser cutting and/or similar operations is a critical concern in today's safety-conscious work environment. Place-A-Vent is an economical, energy-efficient fume extractor that removes smoke, fumes and heat at their source to help assure worker safety and comfort.

Unlike exhaust fans or fixed overhead hoods, Place-A-Vent goes right to the source for capture and removal of virtually all process emissions **before** they reach the worker's "**Breathing Zone**". It employs a negative pressure system that exhausts all fumes quickly to the outside or into your already existing ductwork.

### System Features:

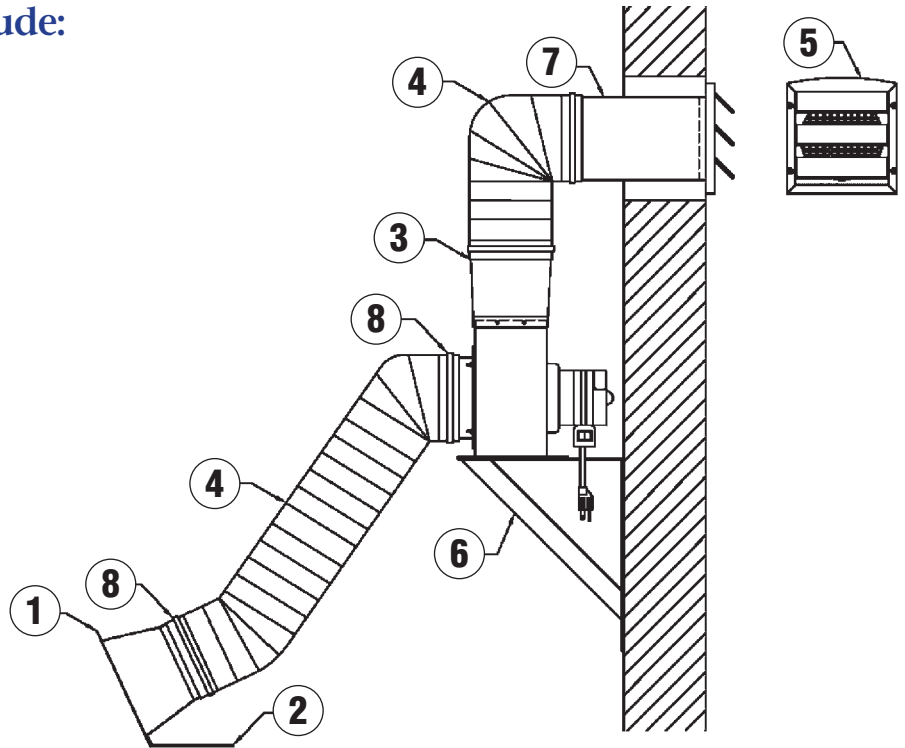
- Easy to install - all mounting components included
- Can be easily moved to a different location - an advantage over exhaust fans and fixed overhead hoods
- Can be modified for multiple work stations
- Larger volume fans and hazardous-duty motors available
- Three standard styles of hood support arms available

**1** Year Warranty

# Vent-A-Fume™

## All Place-A-Vent models include:

- 1) Collection Hood
- 2) Hood Support (table top)
- 3) Blower
- 4) Flexible Hose
- 5) Gravity Closed Louver
- 6) Blower Support Bracket
- 7) Tail Pipe
- 8) Clamps



Customized systems available.

## Flexible Gooseneck Support Options



20-inch Flexible Gooseneck Arm with Magnetic Base provides a robust pull strength for extra holding power. It can be conveniently placed on any magnetic surface allowing for a more precision placement of the capture hood.



20-inch Flexible Gooseneck Arm with Clamp-On Base secures the support arm to surfaces up to 1 1/2-inches thick. This secure clamp-on mounting allows more precise positioning of the capture hood within 20 inches of the mounting location. Polyurethane pads on the clamp prevent marring of mounting surfaces.

### Specifications and Pricing

Model	HP	RPM	Ph/Hz/Volts (1)	CFM@0.0" w.g.	Hood Size	Flex Hose (2)	Inlet/Outlet	Price
FE-500	1/8	1600	1/60/115	500	8-in.	12 1/2-ft.**	6-in. dia.	\$465.00
FE-800*	1/6	1100	1/60/115	800	10-in.	12 1/2-ft.**	8-in. dia.	\$705.00
FE-1200*	1/2	1500	1/60/115-230	1200	10-in.	12 1/2-ft.**	8-in. dia.	\$840.00

#### Notes:

\*Model FE-500 includes a 6-in., three-pronged power cord. Models FE-800 & FE-1200 require hard-wiring (have a power cord added) for your specific application.

\*\*Longer lengths of Flex Hose available, call for pricing.

### Accessories – Flexible Gooseneck Support Arms

Model No.	Description	Length	Price
FECB20	Flexible Gooseneck Arm with Clamp-On Base	20 Inches	\$109.00
FEMB20	Flexible Gooseneck Arm with Magnetic Base	20 inches	\$109.00

# Vent-A-Fume™

A division of Vent-A-Kiln

51 Botsford Place, Buffalo, NY 14216

Toll Free: (877) 876-8368

info@ventakiln.com • www.ventafume.com