

Vent-A-Kiln Price Schedule

Effective Sept. 1, 2011

Note: prices are subject to change without notice.

Positive & Negative Pressure Systems

Hood Diameter	Blower CFM	Standard System (Positive Pressure)		Optional System (Negative Pressure)	
		Model No.	Unit Price	Model No.	Unit Price
22"	265	1122	\$422.00	1122NP5	\$522.00
27"	265	1227	455.00	1227NP5	555.00
27"	500	1227/500	534.00	1227/500NP6	634.00
32"	265	1332	470.00	1332NP5	570.00
32"	500	1332/500	549.00	1332/500NP6	649.00
37"	265	1437	498.00	1437NP5	598.00
37"	500	1437/500	583.00	1437/500NP6	683.00
44"	500	1544	645.00	1544NP6	745.00
54"	500	1654	875.00	1654NP6	975.00

Models for use in Existing Exhaust System

Model No.	Hood Diameter	Hood Collar & Hose Size	Unit Price
27NB	27"	6"	\$320.00
32NB	32"	6"	345.00
37NB	37"	6"	369.00
44NB	44"	6"	441.00
54NB	54"	6"	671.00

Optional Swinging Wall Bracket

Model No.	Description	For use on Hood Size	Unit Price
11-47	Swinging Wall Bracket	37" and smaller	\$68.00
11-44	Swinging Wall Bracket	44"	116.00
11-54	Swinging Wall Bracket	54"	147.00

System Components

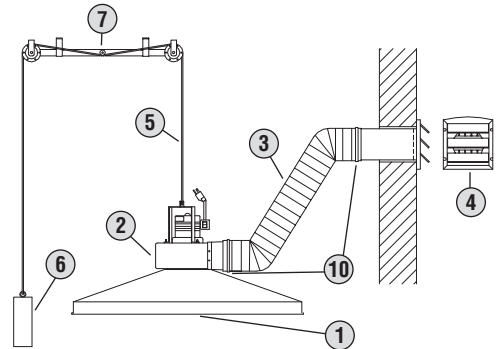
Each model comes complete with numbered components shown in system layout drawings.

- ① Conical aluminum hood*
- ② Blower (note placement in drawings)
- ③ Flexible Hose
- ④ Exterior louver
- ⑤ 3/16" dia. coated steel cable
- ⑥ Counterweight
- ⑦ Overhead pulley system
- ⑧ Swinging wall bracket (optional)
- ⑨ Blower support bracket
- ⑩ Hose clamps
- ⑪ Hood collar with hanging bracket

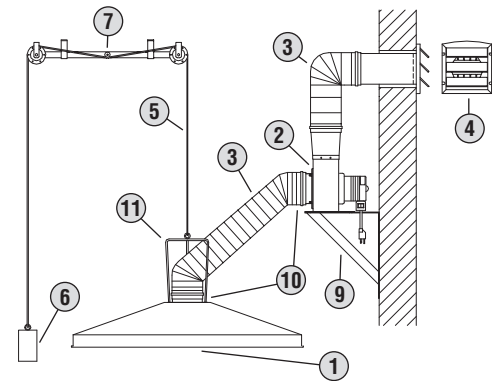
*Hoods also available in square & rectangular shapes and in stainless steel or polypropylene. Contact factory for pricing.

See back of sheet for accessories and replacement parts.

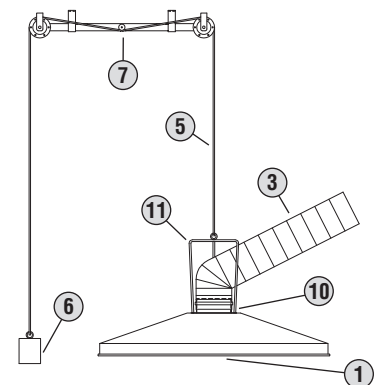
System Layout Drawings



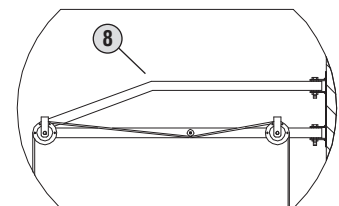
Standard System (Positive Pressure)



Optional System (Negative Pressure)



Installation in existing exhaust system

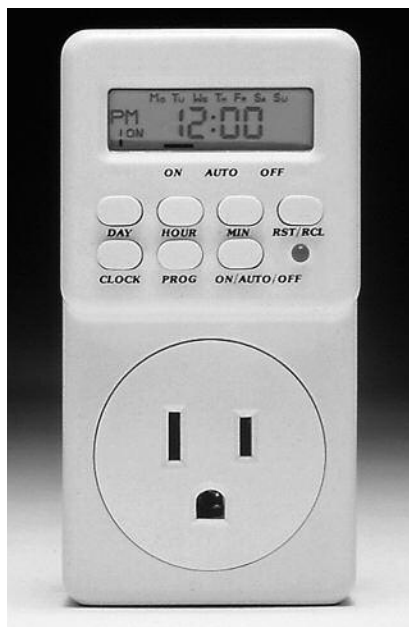


Swinging Wall Bracket

Vent-A-Kiln Price Schedule

Programmable Time Controller (Model MTC115)

Automatic starting of ventilation system prior to kiln firing eliminates the chance of forgetting to turn system on. Automatic shut down of system eliminates the chance of forgetting to turn the system off. Total programmable settings of 84 per 7-day week (6 on and 6 off per day). LCD displays real time as well as programmed time. Timer plugs into 115v receptacle and will operate any device with a maximum load of 15 Amps, 1800 watt and any motor up to 1 hp. Dimensions are 4" x 2" x 3 1/4". Weight 5.3 oz.



Kiln Safety Screens (Model 11-KS3)



Free Standing, Portable, Module, Expandable. Protection from hot kilns during firing. Screens are made with 1/2" round galvanized tube frames and flame retardant canvas. Standard unit consists of three hinged 2' x 3' panels. Additional panels available. Each panel is imprinted in bright safety yellow: "Caution - Kiln in Operation".

Vent-A-Kiln Accessories

Model No.	Description	Unit Price
MTC115	Programmable Timer	\$68.00
11-KS3	Kiln Safety Screen - 3 panel	140.00
11-KS4	Kiln Safety Screen - 4 panel	190.00
11-KS1	Single Panel Screen	49.00

Vent-A-Kiln Replacement Parts

Model No.	Description	Unit price
P11	265 CFM Blower-5" inlet/outlet	\$195.00
P10	500 CFM Blower-6" inlet/outlet	257.00
P11BP	Negative Pressure 265 CFM Blower	210.00
P10BP	Negative Pressure 500 CFM Blower	270.00
P12	5" dia. x 10' Length Flex Hose	36.00
P18	6" dia. x 10' Length Flex Hose	44.00

Vent-A-Kiln™

Vent-A-Kiln Corporation
 51 Botsford Place • Buffalo, NY 14216
 Phone: 716-876-2023 • Fax: 716-876-4383
 Toll-Free: 877-876-8368
 E-Mail: info@ventakiln.com • www.VentAKiln.com