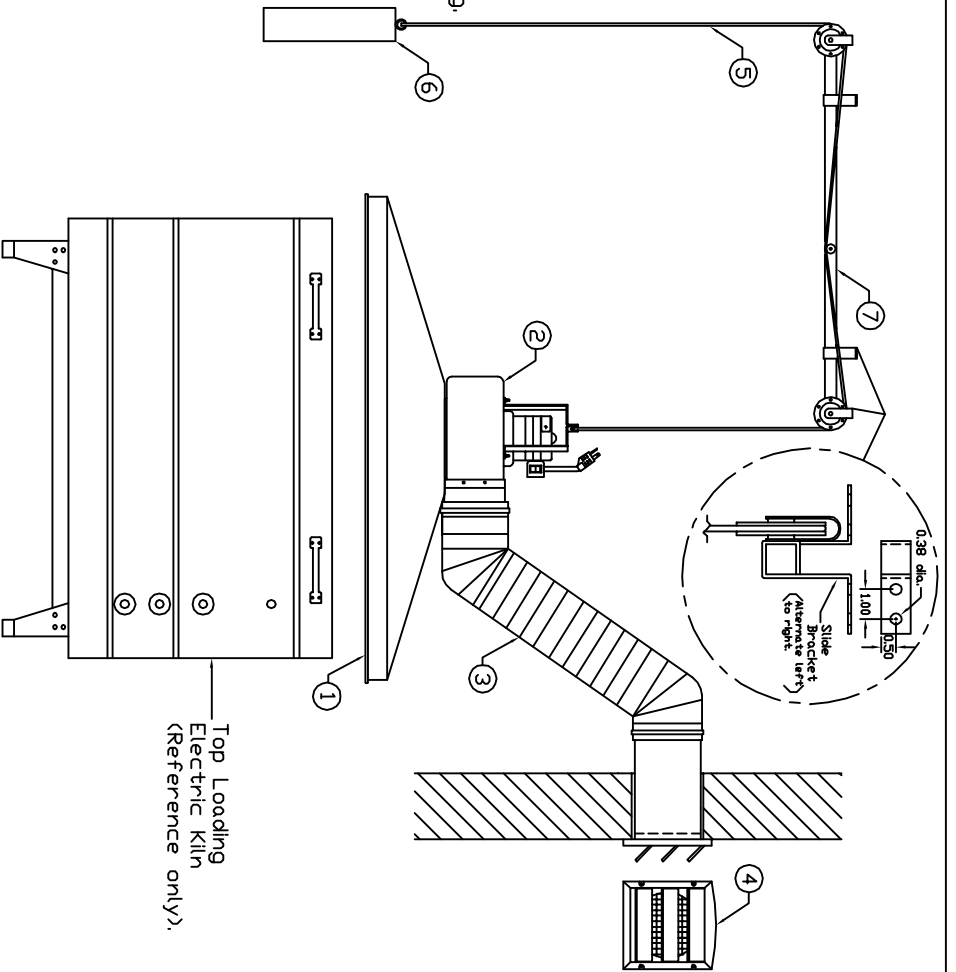


Model: 1544 Specifications

The Vent-A-Kiln model 1544 ventilation system shall include a 44.0" diameter metal spun aluminum hood tapering to a 6.0" diameter exit. A single speed motor with fan (blower) mounted on top the hood, shall draw and propel exhaust fumes and heat via a flexible hose to a exterior surface mounted gravity operated louver. The placement of the hood and blower subassembly shall be user adjustable via an overhead pulley and counterweight system.

- 1) Conical collection hood:
 - 44.0" diameter, 0.063 gage aluminum, alloy 1100-0.
- 2) Non-explosion proof blower
 - 1/2 hp, 1/60/115 motor.
 - 450 cfm @ 0.0" w.g., 36 amps, 1600 rpm.
 - Maximum continuous motor Temperature 250 deg. f.,
 - Sound data; approximate db at 5 feet; high 58db, low 54db.
- 3) Flexible exhaust hose:
 - Triple ply laminate, aluminumized polyester face and an aluminum foil backing.
 - Corrosion, moisture, temperature (250 deg. f.), and flame resistant.
 - 6.0" diameter, 10' (ft.) length.
 - Flexible hose fastened by plastic hose clamps (qty=2).
 - UL listed number 723.
 - Cut to shortest length permissible.
- 4) Exterior surface mounted louver:
 - 6.0" diameter discharge.
 - Blind screen.
 - Three (3) gravity operated shutters.
- 5) 3/8" diameter plastic coated steel cable:
 - 10' (ft.) length.
 - Two (2) 3/8" galvanized steel cable clamps for fastening cable to counterweight and blower.
- 6) Counterweight:
 - 3.0" diameter cold rolled steel, painted VAF/VAK black.
 - weight = 24.0 lbs..
- 7) Overhead pulley system:
 - 1.0"x1.0"x36.0" length structural tubing.
 - two (2) ball bearing pulleys and one (1) resistance pulley.
 - Two (2) slide brackets for hanging of system, alternate left to right.
- 8) Over all weight:
 - approximately 49lb.



LETTER	ALTERATION	DATE	BY
A	Blower motor had two speeds	6/12/09	B.Brandon

UNLESS SHOWN OTHERWISE TOLERANCES SHOULD BE: 1) .XXX 2) XX FRACTIONAL DIMENSIONS 3) ANGLES		± .005 ± .01" ± 0° 30'
ALL INFORMATION CONTAINED HEREIN IS PROPRIETARY, AND MUST NOT BE REPRODUCED OR MADE PUBLIC WITHOUT WRITTEN CONSENT FROM Vent-A-Kiln/Vent-A-Kiln Corp.		
TITLE: Model: 1544 System Layout (P-10 Blower)		DWG. NO. B-1051
Vent-A-Kiln Corp. 51 Botsford Place Buffalo, N.Y. 14216		PROJECT XXX DATE 7/9/03 SCALE NTS DRAWN BY BRANDON B. BRANDON CHECKED BY BILL OF MATL
Positive Pressure		NEXT ASST REV. A

All Dimensions Inches