

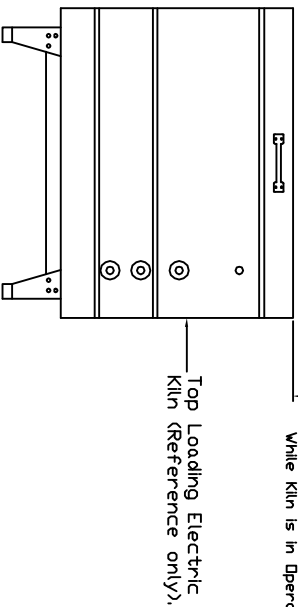
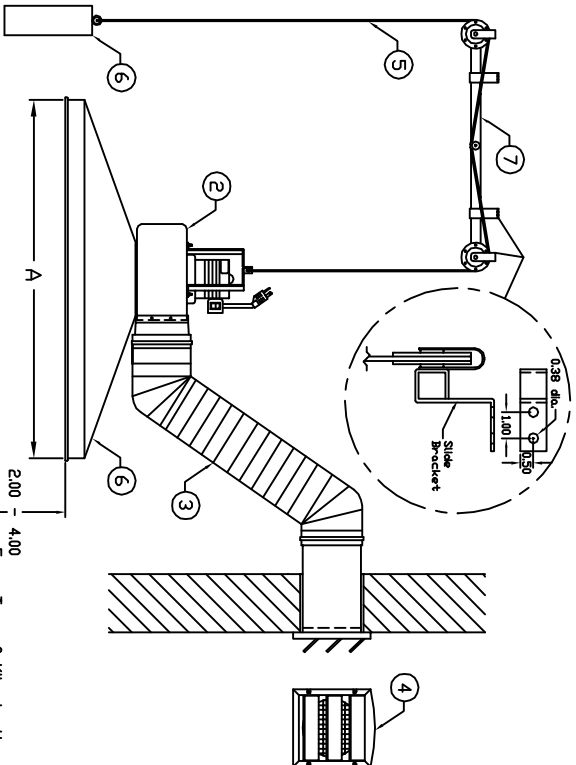
Model 1227/500, 1332/500 & 1437/500 Specifications

The Vent-A-Klin model 1227/500, 1332/500 & 1437/500 ventilation system shall include a conical metal spun aluminum hood tapering to a 60" diameter exit. A single speed motor with fan (blower) mounted on top the hood, shall draw and propel exhaust fumes and heat via a flexible hose to a exterior surface mounted gravity operated louver. The placement of the hood and blower subassembly shall be user adjustable via an overhead pulley and counterweight system.

- 1) Conical collection hood:
 - Metal spun from 0.063 gage aluminum, alloy 1100-0.
- 2) Non-explosion proof blower
 - 1/2 hp, 1/60/115 motor.
 - 450 cfm @ 0.0" w.g., 3.6 amps, 1600 rpm.
 - Maximum continuous motor Temperature 250 deg. f.,
 - Sound data: approximate db at 5 feet: high 88db, low 54db.
- 3) Flexible exhaust hose:
 - Triple ply laminate, aluminumized polyester face and an aluminum foil backing.
 - Corrosion, moisture, temperature (250 deg. f.), and flame resistant.
 - 60" diameter, 10' (ft.) length.
 - Flexible hose fastened by plastic hose clamps (qty=2).
 - UL listed number 723.
 - Cut to shortest length permissible.
- 4) Exterior surface mounted louver:
 - 60" diameter discharge.
 - Bird screen.
 - Three (3) gravity operated shutters.
- 5) 3/8" diameter plastic coated steel cable:
 - 10' (ft.) length.
 - Two (2) 3/8" galvanized steel cable clamps for fastening cable to counterweight and blower.
- 6) Counterweight:
 - 30" diameter cold rolled steel, painted VAF/VAK black.
- 7) Overhead pulley system:
 - 10"x10"x24,0" length structural tubing.
 - two (2) ball bearing pulleys and one (1) resistance pulley.
 - Two (2) slide brackets for hanging of system.
 - two (2) pulley safety straps.

| Model | Hood Diameter A (in) | C.W. (lbs) | D.A.W. (lbs) |
|----------|-------------------------|---------------|-----------------|
| 1227/500 | 27.0 | 16.0 | 48.0 |
| 1332/500 | 32.0 | 18.0 | 52.0 |
| 1437/500 | 37.0 | 18.0 | 54.0 |

C.W. - Counter Weight (6)
D.A.W. - Overall Weight



| LETTER | ALTERATION | DATE | BY | UNLESS SHOWN OTHERWISE DIMENSIONS SHOULD BE: |
|--------|---------------------------------------|---------|-----------|------------------------------------------------------------------------------------------------------------------------------------------------------|
| A | Replaces Dwg. B-1071, B-1050 & B-1049 | 4/3/07 | B-Brandon | 1) XXX 2) XX 3) FRACTIONAL DIMENSIONS ± 1/32" 4) ANGLES ± 0° 30' |
| B | Blower motor had two speeds | 6/11/09 | B-Brandon | ALL INFORMATION CONTAINED HEREIN IS PROPRIETARY AND MUST NOT BE REPRODUCED OR MADE PUBLIC WITHOUT WRITTEN CONSENT FROM Vent-A-Klin/Vent-A-Klin Corp. |

| | | | | | |
|------------------------------------------------------------|--|----------|--------|------------|--------------|
| Vent-A-Fume | | PROJECT | XXX | DRAWN BY | B. Brandon |
| Vent-A-Klin Corp. | | DATE | 4/3/07 | CHECKED BY | BILL OF MATL |
| 51 Botstford Place | | SCALE | NTS | | |
| Buffalo, N.Y. 14216 | | NEXT | | | |
| Positive Pressure | | DWG. NO. | B-1214 | REV. | B |
| TITLE: Model: 1227/500, 1332/500 1437/500 (P-10 Blower) | | | | | |

All Dimensions Inches