

Bench Mounted Ventilators

Remove Kiln & Oven Emissions at Their Source!

Bench-mounted ventilation systems for dental industry burnout ovens, ceramic or jewelry kilns, and other non-hazardous tabletop applications.

Removing and ventilating fumes is a critical concern in today's safety-conscious work environment. A bench-mounted ventilator from Vent-A-Fume helps you provide a healthier work environment for you and your associates.

Ideal for the professional or hobbyist, bench-mounted ventilators are easy to install and feature a close-capture design for quick and efficient removal of virtually all process emissions. A positive-pressure system exhausts excess heat and fumes to the outside or into existing ductwork. Standard models as well as custom systems are available.

Specifications & Pricing

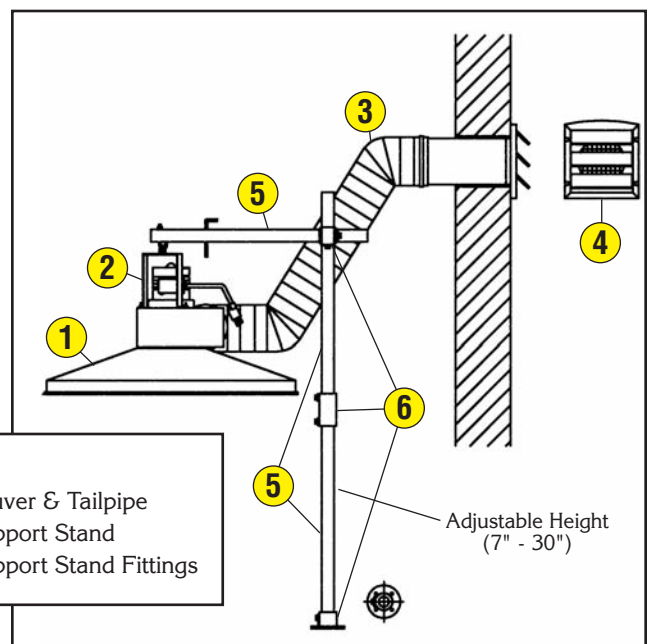
Model No.	HP	RPM	CFM	Hood Dia.	Hood Material*	Price
27TM265A	1/15	1550	250	27"	Aluminum	\$395.00
32TM500A	1/8	1600	450	32"	Aluminum	\$502.00
37TM500A	1/8	1600	450	37"	Aluminum	\$532.00

Note: All motors 1Ph/60 Hz/115 Volts.
*Stainless Steel Hoods available

Replacement Blowers

Model P-11 (250 cfm): \$166.00

Model P-10 (450 cfm): \$257.00



All models include:

- 1) Collection Hood
- 2) Blower
- 3) Flexible Hose & Clamps
- 4) Louver & Tailpipe
- 5) Support Stand
- 6) Support Stand Fittings

Vent-A-Fume™

Toll-Free: 877-876-8368 • www.VentAFume.com

Remove Harmful Emissions at Their Source!

Pre-Engineered, Variable-Height Overhead Ventilation Systems

Complies with OSHA

Vent-A-Fume is an inexpensive, energy-saving system that captures hazardous emissions at their point of origin and vents them quickly and efficiently into existing ductwork or to the outside. This keeps harmful concentrations of contaminated air out of the immediate workspace and prevents their dispersal into the general plant or surrounding environment.



Ideal for several applications

Venting solvent or chemical drums, rendering vats, plating tanks, solder pots, laboratory ovens, solvent distillers, metal casting equipment, glue pots, small furnaces, and jewelry, glass and Potters Kilns.

Reduces equipment and operating costs

Source-capture of fumes allows for the use of the optimum hood size and more energy-efficient horsepower motor and lower capacity fan. It eliminates the need for make-up air since only the contaminated air is being removed.

3 Year Warranty!

Easy to install with flexible operation

Vent-A-Fume is a light, compact, self-contained system that requires no building modification. It is positioned directly over the fume generating source for effective ventilation and then moved out of the way when necessary. The unit can be readily relocated.



Custom design includes square or rectangular hoods fabricated from aluminum, stainless steel or polypropylene.

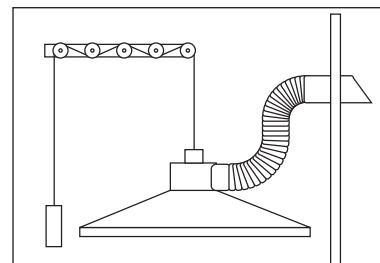
Specifications:

Model No	Hood		CFM	Motor		Price
	Diameter	Height		HP	Ph/Hz/V	
1227/500	27"	5"	450	1/8	1/60/110	\$534.00
1332/500	32"	6"	450	1/8	1/60/110	\$549.00
1437/500	37"	7 1/4"	450	1/8	1/60/110	\$583.00
1544	44"	7 1/4"	450	1/8	1/60/110	\$645.00

All Models Include: (1) Aluminum Collection Hood; (2) 500-cfm Capacity Blower/Fan; (3) Overhead Counter-weight Pulley System; (4) Flexible Hose & Clamps; (5) Louver & Tailpipe

Standard Mounting Systems

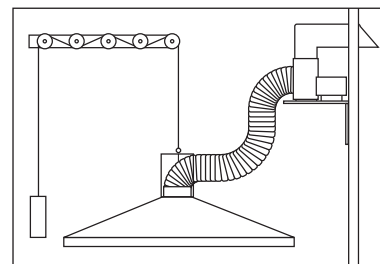
Positive-pressure system with motor and fan attached to the hood, pushing the heat and fumes to the exit point.



Optional Hazardous-Duty or Chemical-Resistant Systems

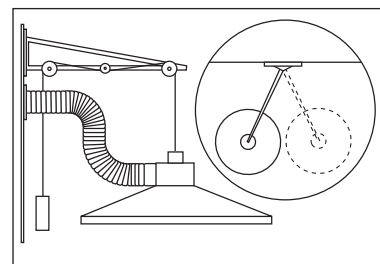
Negative-pressure system with motor and fan placed to draw the heat and fumes from the source and bring them to the exit point.

Negative pressure is often specified as a safeguard against a tear in the hose or use of hazardous-duty or larger motors.



Optional Swinging Wall Bracket

Designed for where ceiling height exceeds 12-ft. or where it is desirable to have a single Vent-A-Fume servicing two side-by-side stations.



Vent-A-Fume™

Vent-A-Kiln Corporation

51 Botsford Place • Buffalo, NY 14216

Phone: 716-876-2023 • Fax: 716-876-4383

Toll-Free: 877-876-8368

E-Mail: info@ventafume.com • www.VentAFume.com